

FUTURE FLASH™ Window & Door Waterproofing System

MFM Building Products Corp. manufactures a wide range of innovative waterproofing products for the building industry. Proven through many years of use in the field, MFM products are engineered for superior performance and ease of installation.

USES

Apply MFM *FutureFlash*™ around all windows in order to protect against leaks caused by soaking and wind driven rain. Patented *FutureFlash* is made with a rubberized asphalt core which seals around nails and staples in vertical installations.

FutureFlash is designed to meet the requirements of Uniform Building Code Section #1 707(b): "Exterior openings exposed to the weather shall be flashed in such a manner as to make waterproof." *FutureFlash* provides protection from leaks in structures of all types and may be used to weatherproof windows, doors, vents, etc.

DESCRIPTION

FutureFlash is a prefabricated waterproofing membrane designed for use around windows and doors under stucco and other exterior wall systems. The product may be used to strip in the flanges of wood, metal and vinyl windows or as a flashing wherever a uniform, dependable waterproofing barrier is required. *FutureFlash* is constructed of two high-performance films with a core of specially formulated rubberized asphalt sandwiched between them. The polyethylene film is tough and resistant to tear. The polyester film adds dimensional stability to the product. *FutureFlash* is engineered to be the strongest, most dependable waterproofing system available to withstand extreme jobsite conditions.

FEATURES

- Maximum waterproofing around windows and doors
- Economical leak prevention - ties window or door into the building system
- Rubberized core self-seals around nails, staples, screws and other punctures in vertical installations

TECHNICAL DATA

PROPERTY	ASTM	Result
Thickness	D 5147	25 mils min.
Tear Strength	D 5147	44.7 lbs/in
Tensile Strength	D 412	31.5 lbs/in
Elongation	D 412	129%
Pliability	D 146	Pass -10°F
Roll Length	---	75'
Roll Width	---	6", 9", 12", 18", 36"
Area per carton	---	225 sq. ft.

Listed under ICC-ES ER-5213. U.S. Patent No. 6,103,356

11/04

- Resists water damage & wind damage before and after stucco is installed
- Will not wick moisture like fiber reinforced products
- High tensile strength - resists tearing under extreme conditions
- High flexibility and elongation - resists failure from earthquakes and settling
- Uniform thickness for dependable protection
- Film backing eliminates odors
- Effectively waterproofs window repairs and replacements

INSTALLATION

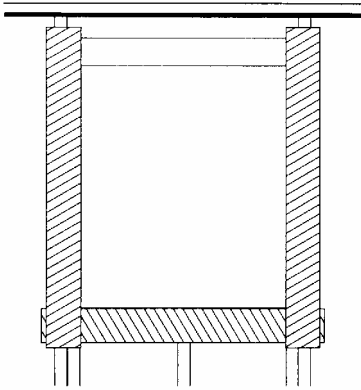
FutureFlash is mechanically attached to the window sill plate and two vertical king studs using nails, staples or other mechanical attachment. A continuous bead of sealant is applied to the inside surface of the window flange and the window is set into place, making sure that there is a positive seal all the way around the rough opening. **PRO Installer *FutureFlash* Sealant™** should be used around the window to assure maximum protection and to qualify for the Limited 10-Year Warranty. The *FutureFlash* header flashing is mechanically attached to the header beam so that the membrane overlaps the outside of the top window flange. Building paper should be installed so that it overlaps the *FutureFlash* at the king studs and header and is "tucked under" the flashing on the sill and mechanically attached.

1. Use *FutureFlash* with vinyl, aluminum or wood windows.
2. Install gray side out (printing should be visible) using nails, staples or screws.
3. Do not expose to direct sunlight for more than 90 days.
4. Use PRO Installer *FutureFlash* Sealant™.
5. FOLLOW INSTRUCTION DIAGRAM ON REVERSE.

LIMITED 10-Year WARRANTY

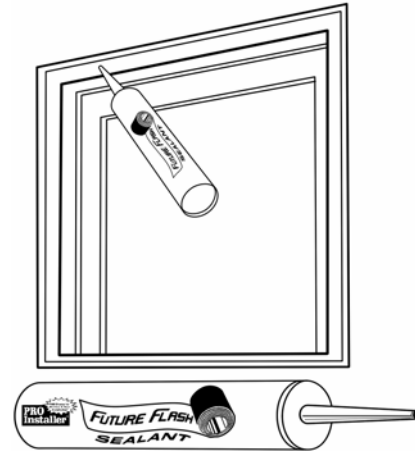
MFM Building Products Corp. (MFM) warrants materials to be free from leaks caused by defects in material or manufacturing for a period of ten (10) years from the date of purchase when applied according to published directions and will, at its option, resupply or refund the purchase price of any materials proven to be defective. Misapplication or poor workmanship is specifically excluded under the terms of this warranty. MFM shall be liable for no additional remedies, hereby expressly denying any other claims for damages, whether direct or indirect, consequential or incidental, including but not limited to property damage, personal injury to the buyer or to a third party and loss of business or profit arising from the use or inability to use the product. Any implied warranties arising under state law are limited to the duration and terms of this express warranty. When installed with a sealant other than PRO Installer *FutureFlash* Sealant, term of warranty is limited to two years.

Window Flashing Instructions for



DETAIL #1

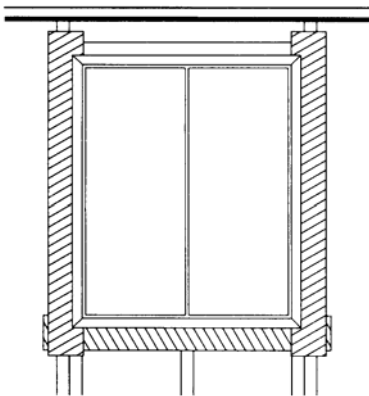
Attach MFM *FutureFlash*™ horizontally to sill plate and extend flashing 6" past left and right vertical king studs. Next, attach *FutureFlash* vertically to left and right king studs, extending flashing 6" below sill plate line to overlap sill flashing. Flashing should extend 6" above bottom of header beam to ensure proper lapping for next step.



DETAIL #2

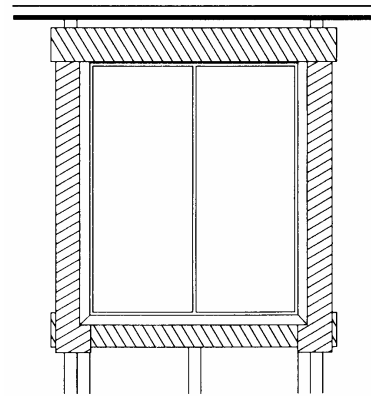
Before window is set, apply a generous bead (3/8"-1/2") of **PRO Installer *FutureFlash* Sealant™** to the back side of the window nailing flange before setting window into flashed window opening.

Use only **PRO Installer *FutureFlash* Sealant™**



DETAIL #3

Set window in opening, level and attach. After the window is in place, apply a second generous bead of **PRO Installer *FutureFlash* Sealant™** over the transition seam of the window nailing flange and flashing and tool flat.



DETAIL #4

Attach *FutureFlash* horizontally to header beam extending flashing 6" past left and right vertical king studs. Flashing will lap over horizontal exterior window flange at the top of the window frame.